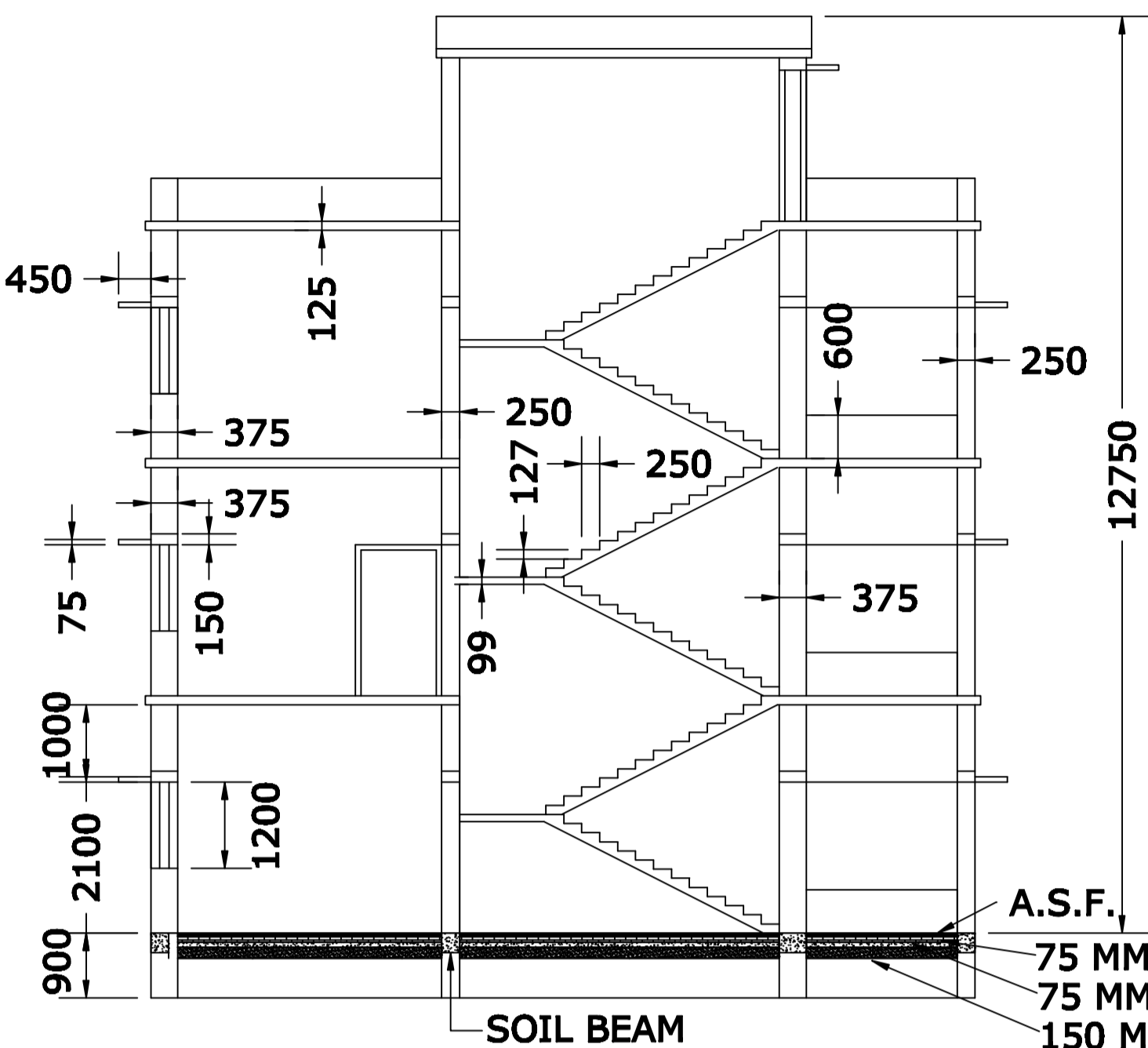
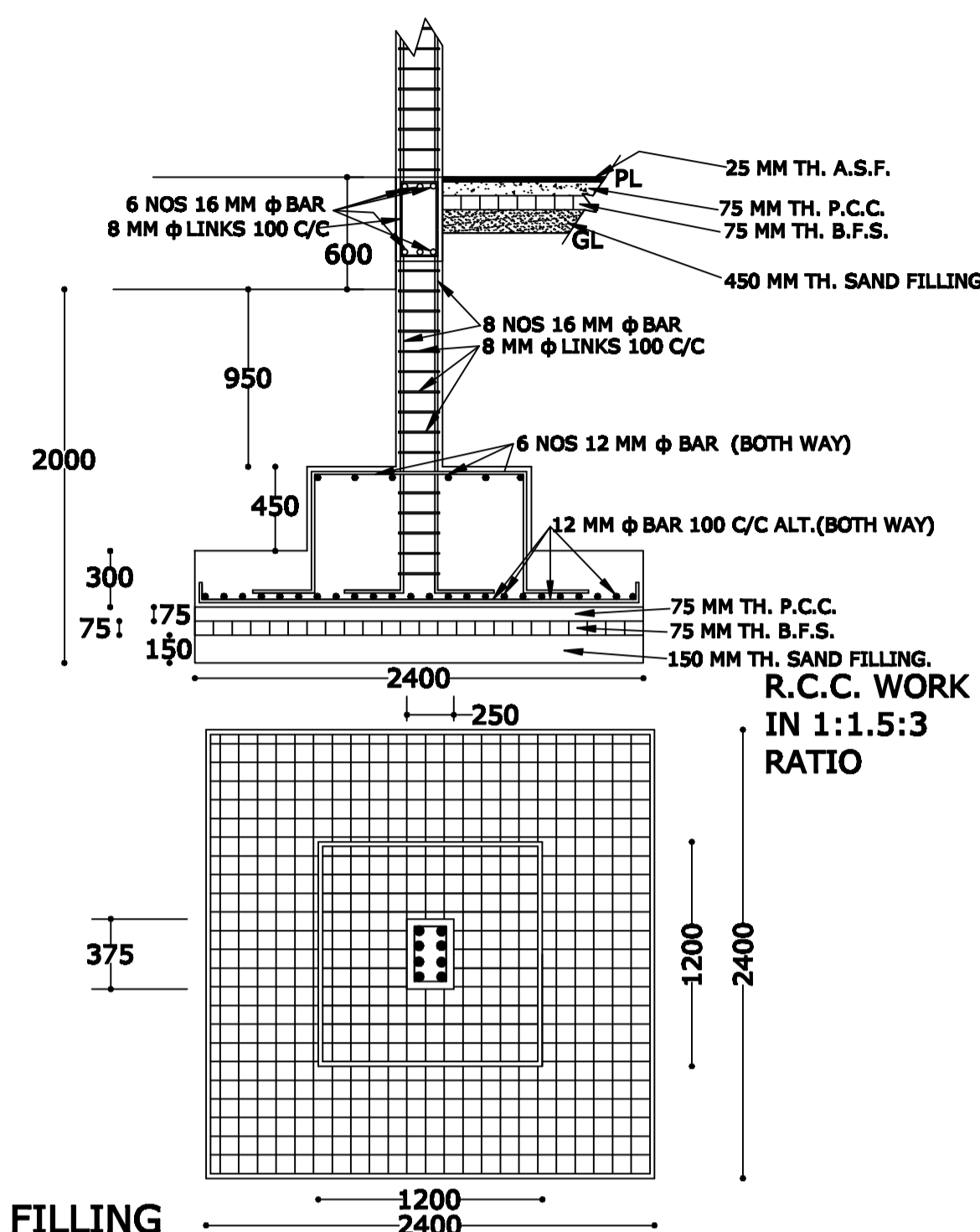


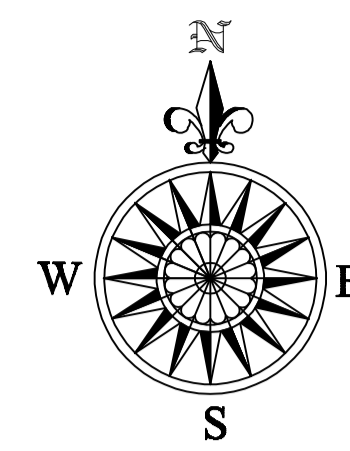
FRONT ELEVATION



SECTIONAL ELEVATION AS ON X-X'



FOUNDATION DETAILS



SCHEDULE

DOORS:- W-1200 X 1200
WINDOWS:- D-1200 X 2100

AREA STATEMENT

PLINTH AREA:-
 PROPOSED PLINTH AREA GR FLOOR=666.14 Sq.M
 PROPOSED PLINTH AREA 1ST FLOOR=666.14 Sq.M
 PROPOSED PLINTH AREA 2ND FLOOR=649.79 Sq.M
LAND AREA= 2638.53 Sq.M

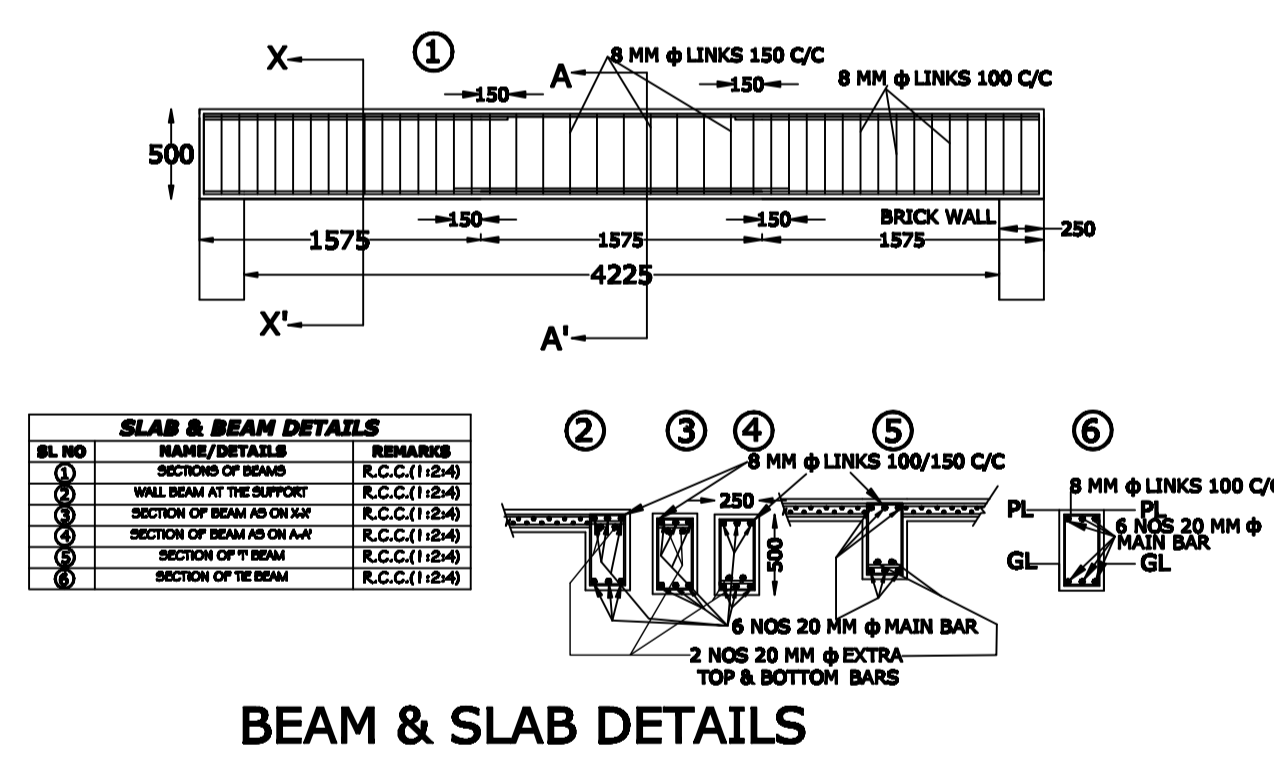
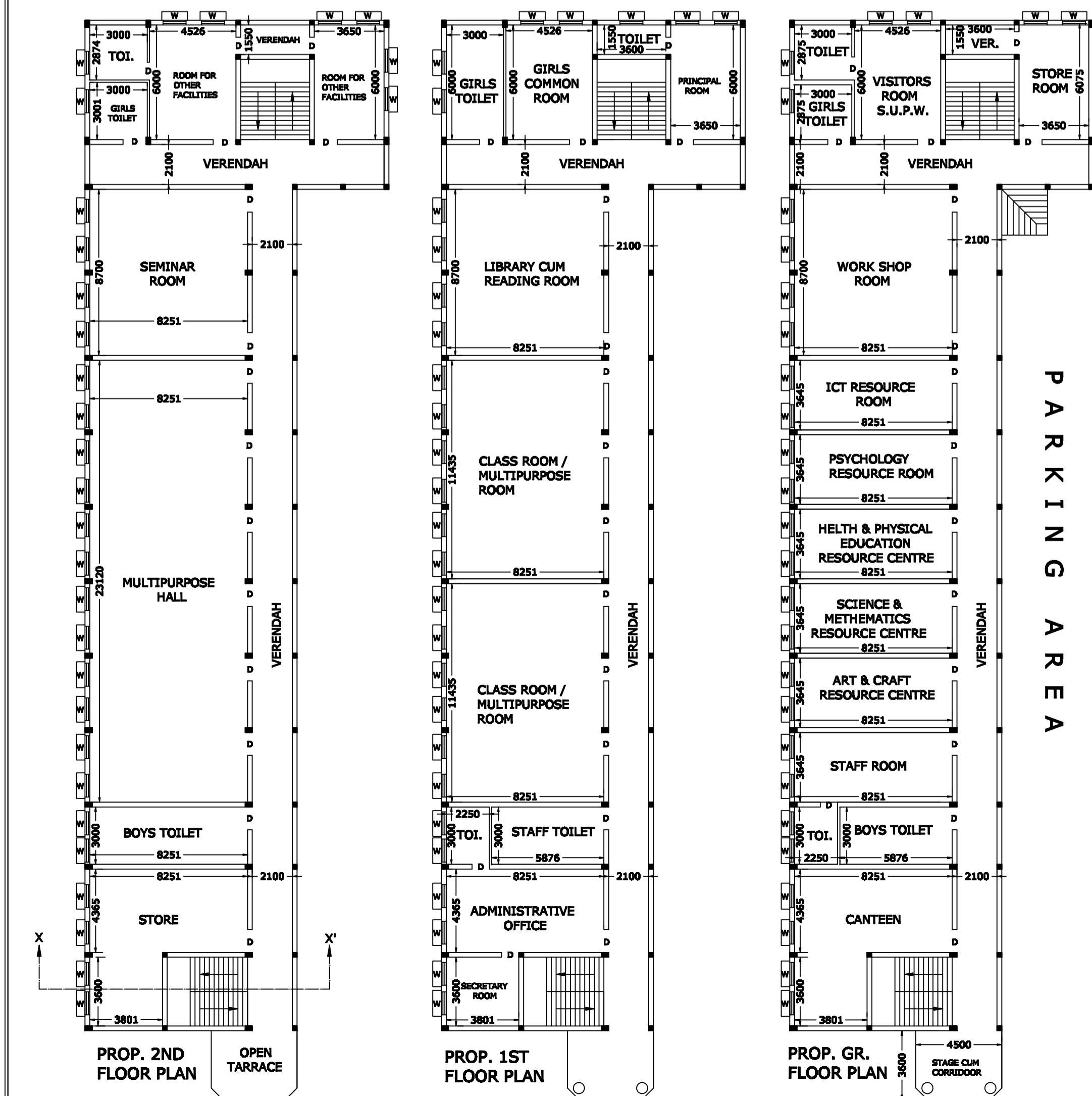
SIGNATURE OF THE OWNER

DRAWN BY:-

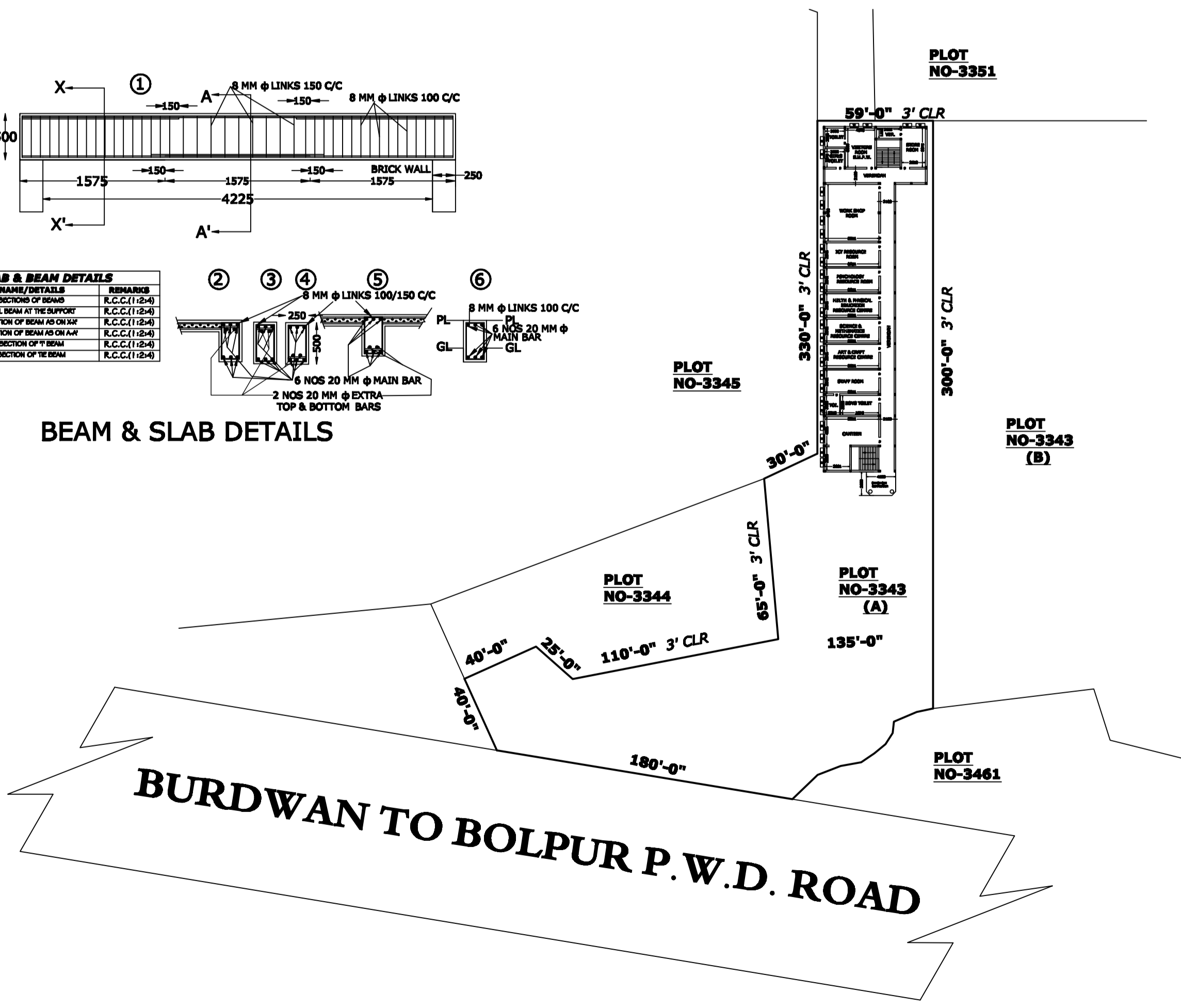
TITLE:-

PLAN & STRUCTURAL DETAILS OF PROP. B.ED. COLLEGE (Kabiguru Institution of Education) BUILDING (GR.,1st,2nd FLOOR) AT OF VILL.-BHEDIA ;P.S.-AUSGRAM AT PLOT NO-3343 (A) ; AT MOUZA-BHEDIA, DIST.-BURDWAN, WEST BENGAL.

ALL DIMENTIONS ARE IN MM SCALE : 1:25; 1:120; 1:250;1:2500.



BEAM & SLAB DETAILS



SITE PLAN